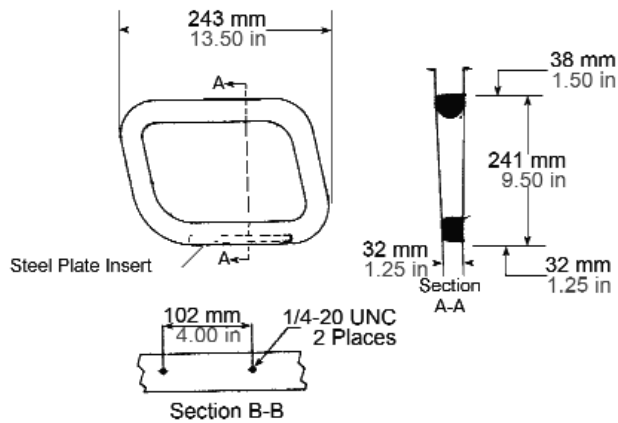
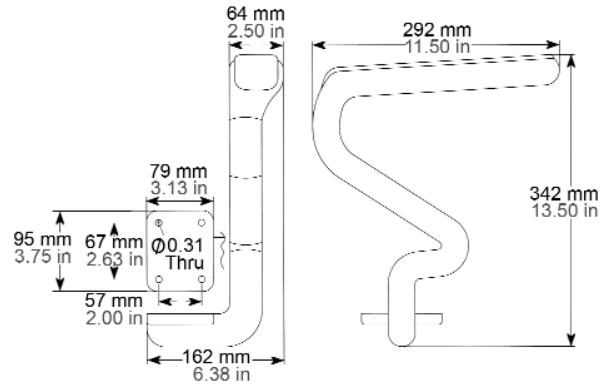


Arms

C10



Product No. 30-10



Product No. 30-13



Product No. 30-150

